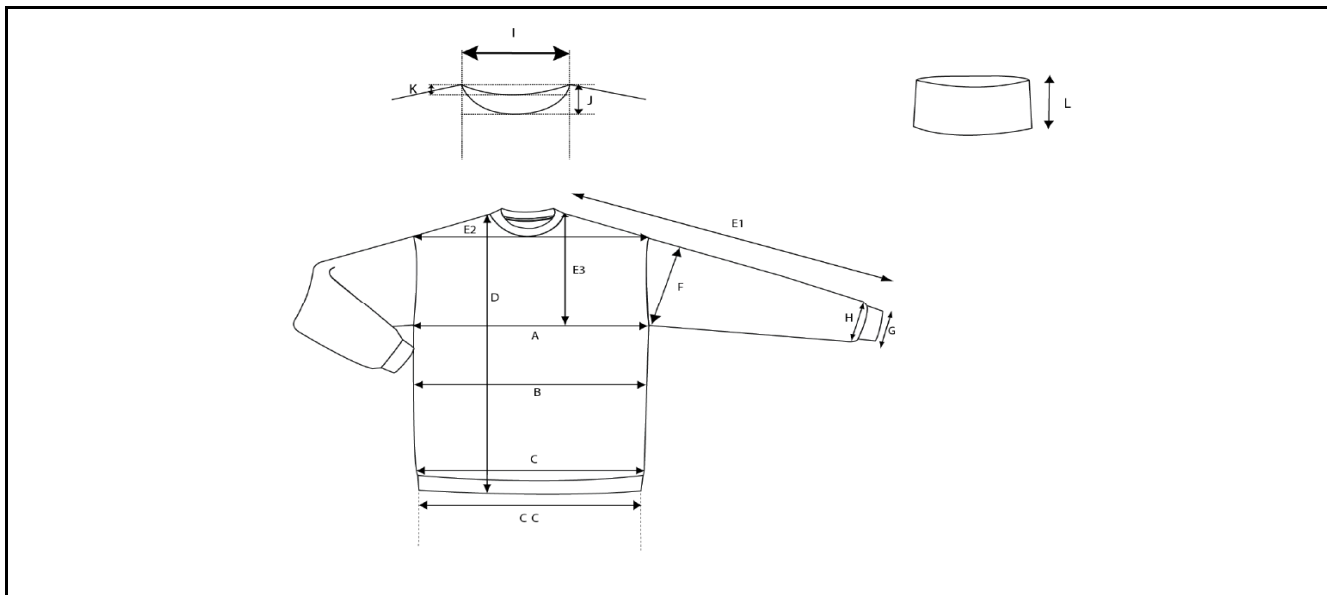


| MEASUREMENT SHEET/SIZE SPEC                |                                      |                            |                        |                               |
|--|--------------------------------------|----------------------------|------------------------|-------------------------------|
| Style nr. / name:<br>021038 BASIC CARDIGAN | Size ranges:<br>XS-3XL               | Last update:<br>7-Aug-2014 | Base pattern:          | Remarks:                      |
| Client:<br>Basic                           | Except Color:<br>580, 95, 99: XS-5XL | By: GP                     | Season:<br>WINTER 2014 | CARDIGAN MEN<br>NW PRODUCTION |
|  |                                      | Eng:                       |                        |                               |



|                               | XS | S  | M  | L  | XL   | XXL | 3XL  | 4XL  | 5XL  |  | Tolerance |
|-------------------------------|----|----|----|----|------|-----|------|------|------|--|-----------|
| A - 1/2 Chest                 | 46 | 50 | 54 | 59 | 64   | 69  | 75   | 81   | 87   |  |           |
| D - Bodylength                | 64 | 67 | 70 | 73 | 76   | 79  | 82   | 85   | 88   |  |           |
| E1 - Shoulder + Sleeve length | 76 | 78 | 80 | 82 | 84,5 | 87  | 89,5 | 91,5 | 93,5 |  |           |
|                               |    |    |    |    |      |     |      |      |      |  |           |
|                               |    |    |    |    |      |     |      |      |      |  |           |
|                               |    |    |    |    |      |     |      |      |      |  |           |
|                               |    |    |    |    |      |     |      |      |      |  |           |
|                               |    |    |    |    |      |     |      |      |      |  |           |
|                               |    |    |    |    |      |     |      |      |      |  |           |
|                               |    |    |    |    |      |     |      |      |      |  |           |
|                               |    |    |    |    |      |     |      |      |      |  |           |
|                               |    |    |    |    |      |     |      |      |      |  |           |
|                               |    |    |    |    |      |     |      |      |      |  |           |
|                               |    |    |    |    |      |     |      |      |      |  |           |
|                               |    |    |    |    |      |     |      |      |      |  |           |
|                               |    |    |    |    |      |     |      |      |      |  |           |
|                               |    |    |    |    |      |     |      |      |      |  |           |
|                               |    |    |    |    |      |     |      |      |      |  |           |
|                               |    |    |    |    |      |     |      |      |      |  |           |
|                               |    |    |    |    |      |     |      |      |      |  |           |
|                               |    |    |    |    |      |     |      |      |      |  |           |
|                               |    |    |    |    |      |     |      |      |      |  |           |
|                               |    |    |    |    |      |     |      |      |      |  |           |
|                               |    |    |    |    |      |     |      |      |      |  |           |

REMARKS: